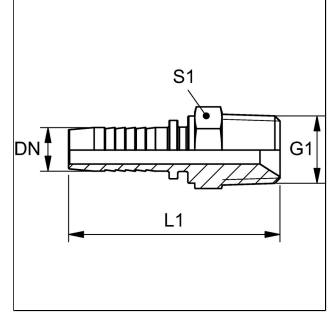


Özellikler

Customs tariff number	73079910
Kısaltma	AGR-K
Bağlantı 1	BSPT dış dış konik
Malzeme	Çelik
Kullanım Alanı	Swage nipple for HD 100 HD 200 KP 100 to KP 600 TE hoses NY hoses TF hoses Suction hoses
Sızdırmazlık şekli 1	dışten contalama
Standart	BS 5200 ISO 8434-6
Yüzey koruması	galvaniz kaplı



Uyarı

Uygun kabuğu lütfen hortum tipine göre seçin.

Ürün

Adı	DN	Boyut	İnç	G1	Çalışma b asıncı (bar)	L1 (mm)	S1
PN 04 HBK 02	5	3	3/16"	R 1/8" K	350	43	12
PN 04 HBK 06	5	3	3/16"	R 1/4" K	350	47.5	14
PN 06 HBK 02	6	4	1/4"	R 1/8" K	350	49	12
PN 06 HBK	6	4	1/4"	R 1/4" K	400	53.5	14
PN 06 HBK 10	6	4	1/4"	R 3/8" K	400	54	19
PN 08 HBK 06	8	5	5/16"	R 1/4" K	400	53.5	14
PN 08 HBK 10	8	5	5/16"	R 3/8" K	400	54	19
PN 10 HBK 06	10	6	3/8"	R 1/4" K	400	56	14
PN 10 HBK	10	6	3/8"	R 3/8" K	400	56.5	19
PN 10 HBK 13	10	6	3/8"	R 1/2" K	350	61	22
PN 13 HBK 10	12	8	1/2"	R 3/8" K	350	58	19
PN 13 HBK	12	8	1/2"	R 1/2" K	350	62	22
PN 13 HBK 20	12	8	1/2"	R 3/4" K	315	64.5	27
PN 16 HBK 13	16	10	5/8"	R 1/2" K	350	67.5	22
PN 16 HBK	16	10	5/8"	R 5/8" K	350	70.5	24
PN 16 HBK 20	16	10	5/8"	R 3/4" K	315	69	27
PN 20 HBK	19	12	3/4"	R 3/4" K	315	76.5	27
PN 20 HBK 25	19	12	3/4"	R 1" K	250	80.5	36
PN 25 HBK	25	16	1"	R 1" K	250	88.5	36
PN 25 HBK 32	25	16	1"	R 1.1/4" K	250	91.5	46
PN 32 HBK	31	20	1.1/4"	R 1.1/4" K	250	101	46
PN 32 HBK 40	31	20	1.1/4"	R 1.1/2" K	210	102	50
PN 40 HBK	38	24	1.1/2"	R 1.1/2" K	210	105.5	50
PN 40 HBK 50	38	24	1.1/2"	R 2" K	210	113	65
PN 50 HBK	51	32	2"	R 2" K	210	127.5	65

DN = Nominal ap, nominal geniřlik

Diđer modeller

PN HBK VA

Pres Nipeli, AGR-K