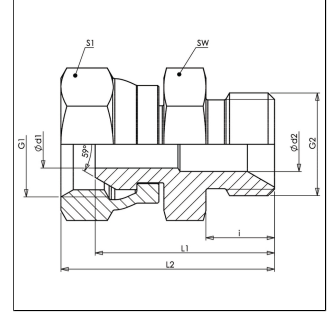


### Özellikler

Customs tariff number	73079910
Bağlantı 2	BSP dış dış silindirik
Bağlantı 1	BSP Somunlu
Malzeme	Çelik
Dizayn	düz
Sızdırmazlık şekli 1	60°'lik dış havşa
Standart	ISO 8434-6
Model	Adaptör .
Yüzey koruması	galvaniz kaplı
Sızdırmazlık şekli 2	60° içe havşalı



### Uyarı

Information about fitting, installation, pressure loads and permissible operating temperatures can be found in the technical information for adapters.

### Ürün

Adı	G1	G2	L1 (mm)	SW (mm)	Ø d2 (mm)	Ø d1 (mm)	L2 (mm)	i (mm)	S1
GAB02HB	G 1/8" -28	G 1/8" -28	22	12	3.5	3.5	26.5	8	14
GAB02HB04	G 1/8" -28	G 1/4" -19	28	17	4.7	3.5	32.5	11	14
GAB04HB02	G 1/4" -19	G 1/8" -28	23	12	3.5	4.5	28	8	19
GAB04HB	G 1/4" -19	G 1/4" -19	31	17	4.5	4.5	36	11	19
GAB04HB06	G 1/4" -19	G 3/8" -19	33	19	7.9	4.5	38	12	19
G AB 04 HB 08	G 1/4" -19	G 1/2" -14	35	22	11.1	4.5	40	14	19
G AB 06 HB 04	G 3/8" -19	G 1/4" -19	30.5	17	4.7	7.1	37	11	22
GAB06HB	G 3/8" -19	G 3/8" -19	35	19	7.1	7.1	41.5	12	22
G AB 06 HB 08	G 3/8" -19	G 1/2" -14	36.5	22	11.1	7.1	43	14	22
GAB06HB12	G 3/8" -19	G 3/4" -14	42	30	16.7	7.1	48.5	16	22
G AB 08 HB 04	G 1/2" -14	G 1/4" -19	36	19	4.7	9.7	43	11	27
GAB08HB06	G 1/2" -14	G 3/8" -19	37	19	7.9	9.7	44	12	27
GAB08HB	G 1/2" -14	G 1/2" -14	41	22	9.7	9.7	48	14	27
GAB08HB10	G 1/2" -14	G 5/8" -14	41	24	14.3	9.7	48	16	27
GAB08HB12	G 1/2" -14	G 3/4" -14	44.5	30	16.7	9.7	51.5	16	27
GAB08HB16	G 1/2" -14	G 1" -11	47.5	36	22.2	9.7	54.5	19	27
GAB10HB06	G 5/8" -14	G 3/8" -19	36	22	7.9	12	46	12	30
GAB10HB08	G 5/8" -14	G 1/2" -14	38	22	11.1	11.1	48	14	30
GAB10HB	G 5/8" -14	G 5/8" -14	42	24	14.3	12	52	16	30
GAB10HB12	G 5/8" -14	G 3/4" -14	43.5	30	16.7	12	53.5	16	30
G AB 10 HB 16	G 5/8" -14	G 1" -11	46.5	36	19	12	56.5	19	30
GAB12HB06	G 3/4" -14	G 3/8" -19	38.5	27	7.9	15.5	47.5	12	32
GAB12HB08	G 3/4" -14	G 1/2" -14	40.5	27	11.1	15.5	49.5	14	32
G AB 12 HB 10	G 3/4" -14	G 5/8" -14	42.5	27	14.3	14.3	51.5	16	32
GAB12HB	G 3/4" -14	G 3/4" -14	45	30	15.5	15.5	54	16	32
GAB12HB16	G 3/4" -14	G 1" -11	48	36	22.2	15.5	57	19	32
G AB 12 HB 20	G 3/4" -14	G 1.1/4" -11	47.5	46	28.6	15.5	56.5	20	32
GAB16HB08	G 1" -11	G 1/2" -14	46.5	32	11.1	20.4	57.5	14	41

Adı	G1	G2	L1	SW	Ø d2	Ø d1	L2	i	S1
GAB16HB10	G 1" -11	G 5/8" -14	48.5	32	14.3	20.4	59.5	16	41
GAB16HB12	G 1" -11	G 3/4" -14	48.5	32	16.7	20.4	59.5	16	41
GAB16HB	G 1" -11	G 1" -11	51	36	20.4	20.4	62	19	41
GAB16HB20	G 1" -11	G 1.1/4" -11	50.5	46	28.6	20.4	61.5	20	41
GAB20HB12	G 1.1/4" -11	G 3/4" -14	54	41	16.7	26	64.5	16	50
G AB 20 HB 16	G 1.1/4" -11	G 1" -11	57	41	22.2	26	67.5	19	50
GAB20HB	G 1.1/4" -11	G 1.1/4" -11	55	46	26	26	65.5	20	50
G AB 20 HB 24	G 1.1/4" -11	G 1.1/2" -11	62	50	33.3	26	72.5	22	50
G AB 24 HB 20	G 1.1/2" -11	G 1.1/4" -11	54.5	46	28.6	28.6	67.5	20	55
GAB24HB	G 1.1/2" -11	G 1.1/2" -11	64	50	30.8	30.8	77	22	55
G AB 24 HB 32	G 1.1/2" -11	G 2" -11	66.5	65	46	30.8	79.5	25	55
G AB 32 HB 24	G 2" -11	G 1.1/2" -11	66	60	33.3	43.5	82.5	22	70
G AB 32 HB	G 2" -11	G 2" -11	69	65	43.5	43.5	85.5	25	70

SW, S1, S2, S3 = Anahtar genişliği

## Diğer modeller

G AB HB VA Adaptör