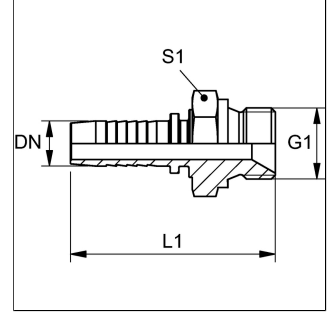


Özellikler

Customs tariff number	73079910
Kısaltma	AGR
Bağlantı 1	BSP dış dış silindirik
Malzeme	Çelik
Kullanım Alanı	Swage nipple for HD 100 HD 200 KP 100 to KP 600 TE hoses NY hoses TF hoses Suction hoses
Sızdırmazlık şekli 1	60° içe havşalı
Standart	BS 5200 ISO 8434-6
Yüzey koruması	galvaniz kaplı



Uyarı

Uygun kabuğu lütfen hortum tipine göre seçin.

Ürün

Adı	DN	Boyut	İnç	G1	Çalışma b asıncı (bar)	L1 (mm)	S1
PN 04 HB	5	3	3/16"	G 1/8" -28	350	42.5	14
PN 04 HB 06	5	3	3/16"	G 1/4" -19	350	46	19
PN 06 HB 02	6	4	1/4"	G 1/8" -28	350	48.5	14
PN 06 HB	6	4	1/4"	G 1/4" -19	400	52	19
PN 06 HB 10	6	4	1/4"	G 3/8" -19	400	54	22
PN 06 HB 13	6	4	1/4"	G 1/2" -14	350	57.5	27
PN 08 HB 06	8	5	5/16"	G 1/4" -19	400	52	19
PN 08 HB 10	8	5	5/16"	G 3/8" -19	400	54	22
PN 08 HB 13	8	5	5/16"	G 1/2" -14	350	57.5	27
PN 10 HB 02	10	6	3/8"	G 1/8" -28	350	50	17
PN 10 HB 06	10	6	3/8"	G 1/4" -19	400	53.5	19
PN 10 HB	10	6	3/8"	G 3/8" -19	400	55.5	22
PN 10 HB 13	10	6	3/8"	G 1/2" -14	350	59.5	27
PN 13 HB 10	12	8	1/2"	G 3/8" -19	350	56.5	22
PN 13 HB	12	8	1/2"	G 1/2" -14	350	60.5	27
PN 13 HB 16	12	8	1/2"	G 5/8" -14	350	62.5	30
PN 13 HB 20	12	8	1/2"	G 3/4" -14	250	62.5	32
PN 16 HB 13	16	10	5/8"	G 1/2" -14	350	65	27
PN 16 HB	16	10	5/8"	G 5/8" -14	350	67	30
PN 16 HB 20	16	10	5/8"	G 3/4" -14	315	67	32
PN 20 HB	19	12	3/4"	G 3/4" -14	315	73.5	32
PN 20 HB 25	19	12	3/4"	G 1" -11	250	78.5	41
PN 25 HB	25	16	1"	G 1" -11	250	86.5	41
PN 25 HB 32	25	16	1"	G 1.1/4" -11	250	87.5	50
PN 32 HB	31	20	1.1/4"	G 1.1/4" -11	250	97	50

Adı	DN	Boyut	İnç	G1	Çalışma b asıncı	L1	S1
PN 32 HB 40	31	20	1.1/4"	G 1.1/2" -11	210	100	55
PN 40 HB 32	38	24	1.1/2"	G 1.1/4" -11	210	100.5	50
PN 40 HB	38	24	1.1/2"	G 1.1/2" -11	210	103.5	55
PN 40 HB 50	38	24	1.1/2"	G 2" -11	210	109	70
PN 50 HB	51	32	2"	G 2" -11	210	124.5	70

DN = Nominal çap, nominal genişlik

Diğer modeller

PN HB VA Pres Nipeli, AGR