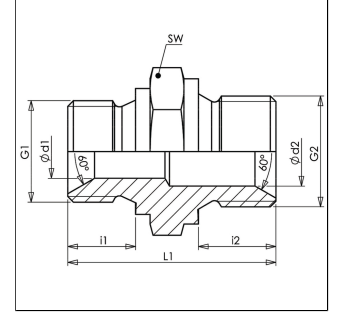


Özellikler

Customs tariff number	73079910
Bağlantı 2	BSP dış dış silindirik
Bağlantı 1	BSP dış dış silindirik
Malzeme	Çelik
Dizayn	düz
Sızdırmazlık şekli 1	60° içe havşalı
Standart	ISO 8434-6
Model	Düz Adaptör
Yüzey koruması	galvaniz kaplı
Sızdırmazlık şekli 2	60° içe havşalı



Uyarı

Information about fitting, installation, pressure loads and permissible operating temperatures can be found in the technical information for adapters.

Ürün

Adı	i2 (mm)	G1	G2	L1 (mm)	SW (mm)	i1 (mm)	Ø d2 (mm)	Ø d1 (mm)
G HB 02	8	G 1/8" -28	G 1/8" -28	24	14	8	3.5	3.5
G HB 02 HB 04	11	G 1/8" -28	G 1/4" -19	28.5	19	8	3.5	3.5
G HB 02 HB 06	12	G 1/8" -28	G 3/8" -19	30	22	8	7.9	3.5
G HB 02 HB 08	14	G 1/8" -28	G 1/2" -14	33.5	27	8	11.1	3.5
G HB 04	11	G 1/4" -19	G 1/4" -19	32	19	11	4.7	4.7
G HB 04 HB 06	12	G 1/4" -19	G 3/8" -19	33.5	22	11	7.9	4.7
G HB 04 HB 08	14	G 1/4" -19	G 1/2" -14	37	27	11	11.1	4.7
G HB 04 HB 10	16	G 1/4" -19	G 5/8" -14	39	30	11	14.3	4.7
G HB 04 HB 12	16	G 1/4" -19	G 3/4" -14	41	32	11	16.3	4.7
G HB 04 HB 16	19	G 1/4" -19	G 1" -11	45	41	11	22.2	4.7
G HB 04 HB 20	20	G 1/4" -19	G 1.1/4" -11	48	50	11	28.6	4.7
G HB 06	12	G 3/8" -19	G 3/8" -19	35	22	12	7.9	7.9
G HB 06 HB 08	14	G 3/8" -19	G 1/2" -14	38.5	27	12	7.9	7.9
G HB 06 HB 10	16	G 3/8" -19	G 5/8" -14	40.5	32	12	14.3	7.9
G HB 06 HB 12	16	G 3/8" -19	G 3/4" -14	42.5	32	12	16.7	7.9
G HB 06 HB 16	22.2	G 3/8" -19	G 1" -11	46.5	41	12	22.2	7.9
G HB 06 HB 20	20	G 3/8" -19	G 1.1/4" -11	49.5	50	12	28.6	7.9
G HB 08	14	G 1/2" -14	G 1/2" -14	41	27	14	11.1	11.1
G HB 08 HB 10	16	G 1/2" -14	G 5/8" -14	43	30	14	14.3	11.1
G HB 08 HB 12	16	G 1/2" -14	G 3/4" -14	45	32	14	16.7	11.1
G HB 08 HB 16	19	G 1/2" -14	G 1" -11	49	41	14	22.2	11.1
G HB 08 HB 20	20	G 1/2" -14	G 1.1/4" -11	52	50	14	28.6	11.1
G HB 08 HB 24	22	G 1/2" -14	G 1.1/2" -11	56	55	14	33.3	11.1
G HB 08 HB 32	25	G 1/2" -14	G 2" -11	62.5	70	14	46	11.1
G HB 10	16	G 5/8" -14	G 5/8" -14	45	30	16	14.3	14.3
G HB 10 HB 12	16	G 5/8" -14	G 3/4" -14	47	32	16	14.3	14.3
G HB 10 HB 16	19	G 5/8" -14	G 1" -11	51	41	16	22.2	14.3
G HB 10 HB 20	20	G 5/8" -14	G 1.1/4" -11	54	50	16	28.6	14.3

Adı	i2	G1	G2	L1	SW	i1	Ø d2	Ø d1
G HB 12	16	G 3/4" -14	G 3/4" -14	47	32	16	16.7	16.7
G HB 12 HB 16	19	G 3/4" -14	G 1" -11	51	41	16	22.2	16.7
G HB 12 HB 20	20	G 3/4" -14	G 1.1/4" -11	54	50	16	28.6	16.7
G HB 12 HB 24	22	G 3/4" -14	G 1.1/2" -11	58	55	16	33.3	16.7
G HB 12 HB 32	25	G 3/4" -14	G 2" -11	64.5	70	16	46	16.7
G HB 16	19	G 1" -11	G 1" -11	54	41	19	22.2	22.2
G HB 16 HB 20	20	G 1"	G 1.1/4" -11	57	50	19	28.6	22.2
G HB 16 HB 24	22	G 1" -11	G 1.1/2" -11	61	55	19	33.3	22.2
G HB 16 HB 32	25	G 1" -11	G 2" -11	67.5	70	19	46	22.2
G HB 20	20	G 1.1/4" -11	G 1.1/4" -11	58	50	20	28.6	28.6
G HB 20 HB 24	22	G 1.1/4" -11	G 1.1/2" -11	62	55	20	33.3	28.6
G HB 20 HB 32	25	G 1.1/4" -11	G 2" -11	68.5	70	20	46	28.6
G HB 24	22	G 1.1/2" -11	G 1.1/2" -11	64	55	22	33.3	33.3
G HB 24 HB 32	25	G 1.1/2" -11	G 2" -11	70.5	70	22	33.3	33.3
G HB 32	25	G 2" -11	G 2" -11	74	70	25	46	46
G HB 40 HB 48	36	G 2.1/2" -11	G 3" -11	88	100	32	68	68
G HB 48	36	G 3" -11	G 3" -11	92	110	36	36	36

SW = Anahtar genişliği

Diğer modeller

G HB VA Düz Adaptör