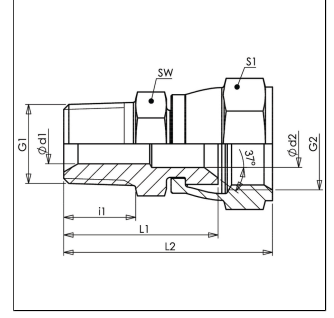


Özellikler

Customs tariff number	73079910
Bağlantı 2	UN/UNF Somunlu
Bağlantı 1	NPT dış dış
Malzeme	Çelik
Dizayn	düz
Sızdırmazlık şekli 1	dişten contalama
Standart	ISO 8434-2 SAE J 514
Model	Blok Adaptör
Yüzey koruması	galvaniz kaplı
Sızdırmazlık şekli 2	74° içe havşalı



Uyarı

Information about fitting, installation, pressure loads and permissible operating temperatures can be found in the technical information for adapters.

Ürün

Adı	G1	G2	L1 (mm)	d1 (mm)	S1	SW (mm)	i1 (mm)	L2 (mm)	d2 (mm)
GE HN 02 AJ 04	1/8" -27 NPT	7/16" -20 UNF	23.6	4	14	11	10.1	33.1	4
GE HN 02 AJ 05	1/8" -27 NPT	1/2" -20 UNF	24.8	4.4	17	12	10.1	34.3	4.4
GE HN 02 AJ 06	1/8" -27 NPT	9/16" -18 UNF	25.9	4.5	14	14	10.1	35.9	6
GE HN 04 AJ	1/4" -18 NPT	7/16" -20 UNF	29.5	5.6	14	14	15	39	4
GE HN 04 AJ 05	1/4" -18 NPT	1/2" -20 UNF	30.7	5.6	16	14	15	40.2	4.4
GE HN 04 AJ 06	1/4" -18 NPT	9/16" -18 UNF	30.8	5.6	17	14	15	40.8	5.6
GE HN 04 AJ 08	1/4" -18 NPT	3/4" -16 UNF	32.4	5.6	22	19	15	43.9	9.9
GE HN 06 AJ	3/8" -18 NPT	9/16" -18 UNF	32.6	8.4	17	19	15.2	44.1	6
GE HN 06 AJ 08	3/8" -18 NPT	3/4" -16 UNF	32.6	8.4	22	19	15.2	44.1	9.9
GE HN 06 AJ 10	3/8" -18 NPT	7/8" -14 UNF	35.3	8.4	27	22	15.2	49	12.3
GE HN 08 AJ 06	1/2" -14 NPT	9/16" -18 UNF	37.2	11.9	19	22	19.9	47.2	6
GE HN 08 AJ	1/2" -14 NPT	3/4" -16 UNF	38.8	11.9	22	22	19.9	50.3	9.9
GE HN 08 AJ 10	1/2" -14 NPT	7/8" -14 UNF	40	11.9	25	22	19.9	53.7	11.9
GE HN 08 AJ 12	1/2" -14 NPT	1.1/16" -12 UN	42	11.9	32	27	19.9	56.9	15.5
GE HN 12 AJ 08	3/4" -14 NPT	3/4" -16 UNF	40.6	16.5	22	27	20.2	52.1	9.9
GE HN 12 AJ 10	3/4" -14 NPT	7/8" -14 UNF	41.8	16.5	27	27	20.2	55.5	12.3
GE HN 12 AJ	3/4" -14 NPT	1.1/16" -12 UN	42.3	15.5	32	27	20.2	57.2	15.5
GE HN 12 AJ 14	3/4" -14 NPT	1.3/16" -12 UN	42.4	16.5	32	32	20.2	58.9	16.5
GE HN 12 AJ 16	3/4" -14 NPT	1.5/16" -12 UN	43.8	16.5	38	32	20.2	60.6	21.5
GE HN 16 AJ	1" -11,5 NPT	1.5/16" -12 UN	48.7	21.1	38	36	25.1	65.5	21.1
GE HN 16 AJ 20	1" -11,5 NPT	1.5/8" -12 UN	51.6	21.1	50	41	25.1	67.9	27.5
GE HN 20 AJ	1.1/4" -11,5 NPT	1.5/8" -12 UN	53.2	27.5	50	46	25.7	69.5	27.5
GE HN 24 AJ	1.1/2" -11,5 NPT	1.7/8" -12 UN	55.9	33.5	58	50	26.1	75.3	33.5

SW, S1, S2, S3 = Anahtar genişliği

Aksesuarlar

TF BAND	PTFE Conta Bandı
---------	------------------

Diğer modeller

GE HN AJ VA

Blok Adaptör