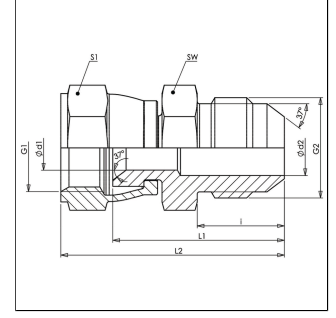


## Özellikler

Customs tariff number	73079910
Bağlantı 2	UN/UNF dış dış
Bağlantı 1	UN/UNF Somunlu
Malzeme	Çelik
Dizayn	düz
Sızdırmazlık şekli 1	74° içe havşalı
Standart	ISO 8434-2
Model	Adaptör .
Yüzey koruması	galvaniz kaplı
Sızdırmazlık şekli 2	74°'lik dış havşa



## Uyarı

Information about fitting, installation, pressure loads and permissible operating temperatures can be found in the technical information for adapters.

## Ürün

Adı	i (mm)	G1	G2	L1 (mm)	SW (mm)	Ø d2 (mm)	Ø d1 (mm)	L2 (mm)	S1
G AJ 04 HJ	14	7/16" -20 UNF	7/16" -20 UNF	28.5	12	4	4	38	17
G AJ 04 HJ 06	14.1	7/16" -20 UNF	9/16" -18 UNF	30	17	7	4	39.5	17
G AJ 05 HJ 04	14	1/2" -20 UNF	7/16" -20 UNF	28.5	14	4.4	4.4	38	17
G AJ 05 HJ	14	1/2" -20 UNF	1/2" -20 UNF	29.5	14	6	4.4	39	17
G AJ 06 HJ 04	14	9/16" -18 UNF	7/16" -20 UNF	30.5	17	4.4	6	40.5	17
G AJ 06 HJ 05	14	9/16" -18 UNF	1/2" -20 UNF	30.5	17	6	6	40.5	19
G AJ 06 HJ	14.1	9/16" -18 UNF	9/16" -18 UNF	30.5	17	7.5	6	40.5	19
G AJ 06 HJ 08	16.7	9/16" -18 UNF	3/4" -16 UNF	34	22	9.9	6	44	19
G AJ 08 HJ 04	14	3/4" -16 UNF	7/16" -20 UNF	32.5	19	4.4	9.9	44	22
G AJ 08 HJ 05	14	3/4" -16 UNF	1/2" -20 UNF	32.5	22	6	9.9	44	22
G AJ 08 HJ 06	14.1	3/4" -16 UNF	9/16" -18 UNF	33	19	7.5	9.9	44.5	22
G AJ 08 HJ	16.7	3/4" -16 UNF	3/4" -16 UNF	33.5	22	9.9	9.9	47	24
G AJ 08 HJ 10	19.3	3/4" -16 UNF	7/8" -14 UNF	38	24	12.3	9.9	49.5	24
G AJ 08 HJ 12	21.9	3/4" -16 UNF	1.1/16" -12 UN	41.5	24	15.5	9.9	53	24
G AJ 10 HJ 04	14	7/8" -14 UNF	7/16" -20 UNF	33.5	19	4.4	12.3	47.2	27
G AJ 10 HJ 05	14	7/8" -14 UNF	1/2" -20 UNF	33.5	19	6	12.3	47.2	27
G AJ 10 HJ 06	14.1	7/8" -14 UNF	9/16" -18 UNF	34	24	7.5	12.3	47.7	27
G AJ 10 HJ 08	16.7	7/8" -14 UNF	3/4" -16 UNF	36	22	9.9	12.3	49.7	27
G AJ 10 HJ	19.3	7/8" -14 UNF	7/8" -14 UNF	39	24	12.3	12.3	52.7	27
G AJ 10 HJ 12	21.9	7/8" -14 UNF	1.1/16" -12 UN	42.5	28	15.5	12.3	56.2	27
G AJ 12 HJ 04	14	1.1/16" -12 UN	7/16" -20 UNF	36.5	24	4.4	15.5	51.4	32
G AJ 12 HJ 05	14	1.1/16" -12 UN	1/2" -20 UNF	36.5	24	6	15.5	51.4	32
G AJ 12 HJ 06	14.1	1.1/16" -12 UN	9/16" -18 UNF	36.5	27	7.5	15.5	51.4	32
G AJ 12 HJ 08	16.7	1.1/16" -12 UN	3/4" -16 UNF	39.5	29	9.9	15.5	54.4	32
G AJ 12 HJ 10	19.3	1.1/16" -12 UN	7/8" -14 UNF	42	27	12.3	15.5	56.9	32
G AJ 12 HJ	21.9	1.1/16" -12 UN	1.1/16" -12 UN	44.5	32	15.5	15.5	59.4	32
G AJ 12 HJ 16	23.1	1.1/16" -12 UN	1.5/16" -12 UN	47	27	21.1	15.5	61.9	32
G AJ 14 HJ 12	21.9	1.3/16" -12 UN	1.1/16" -12 UN	44.5	32	15.5	18	61	35

Adı	i	G1	G2	L1	SW	Ø d2	Ø d1	L2	S1
G AJ 16 HJ 08	16.7	1.5/16" -12 UN	3/4" -16 UNF	39	36	9.9	21.5	55.8	41
G AJ 16 HJ 10	19.3	1.5/16" -12 UN	7/8" -14 UNF	42	36	12.3	21.5	58.8	41
G AJ 16 HJ 12	21.9	1.5/16" -12 UN	1.1/16" -12 UN	44.5	36	15.5	21.5	61.3	41
G AJ 16 HJ 14	22.7	1.5/16" -12 UN	1.3/16" -12 UN	45.5	36	18	21.5	62.3	41
G AJ 16 HJ	23.1	1.5/16" -12 UN	1.5/16" -12 UN	47	36	21.5	21.5	63.8	41
G AJ 20 HJ 10	19.3	1.5/8" -12 UN	7/8" -14 UNF	45	46	12.3	27.5	61.3	50
G AJ 20 HJ 12	21.9	1.5/8" -12 UN	1.1/16" -12 UN	47.5	41	15.5	27.5	63.8	41
G AJ 20 HJ 14	22.7	1.5/8" -12 UN	1.3/16" -12 UN	48.5	46	18	27.5	64.8	50
G AJ 20 HJ 16	23.1	1.5/8" -12 UN	1.5/16" -12 UN	49	46	21.5	27.5	65.3	50
G AJ 20 HJ	24.3	1.5/8" -12 UN	1.5/8" -12 UN	52	46	27.5	27.5	68.3	50
G AJ 24 HJ 20	24.3	1.7/8" -12 UN	1.5/8" -12 UN	52.5	50	27.5	33.5	71.9	55
G AJ 24 HJ	27.5	1.7/8" -12 UN	1.7/8" -12 UN	55.5	50	33.5	33.5	74.9	55
G AJ 32 HJ 24	27.5	2.1/2" -12 UN	1.7/8" -12 UN	65.5	65	33.5	45	89	75

SW, S1, S2, S3 = Anahtar genişliği

## Diğer modeller

G AJ HJ VA Adaptör