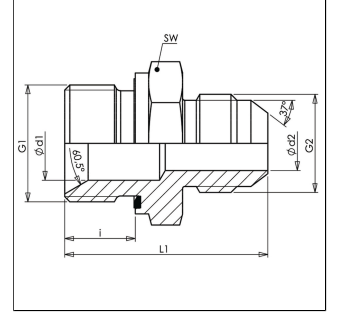


Özellikler

Dizayn	düz
Bağlantı 1	BSP dış dış silindirik
Sızdırmazlık şekli 1	60° içe havşalı Form E
Bağlantı 2	UN/UNF dış dış
Sızdırmazlık şekli 2	74°'lik dış havşa
Malzeme	Çelik
Yüzey koruması	galvaniz kaplı
Standart	ISO 8434-2
Model	Blok Adaptör
Customs tariff number	73079910



Ürün

Adı	G1	G2	L1 (mm)	SW (mm)	Ø d2 (mm)	Ø d1 (mm)	i (mm)
GE HRED 02 HJ 04	G 1/8" -28	7/16" -20 UNF	30	14	3.5	3.5	8
GE HRED 02 HJ 05	G 1/8" -28	1/2" -20 UNF	30	14	6	3.5	8
GE HRED 02 HJ 06	G 1/8" -28	9/16" -18 UNF	30	17	7.5	3.5	8
GE HRED 04 HJ	G 1/4" -19	7/16" -20 UNF	34	19	4.4	4.4	12
GE HRED 04 HJ 05	G 1/4" -19	1/2" -20 UNF	34	19	4.7	4.7	12
GE HRED 04 HJ 06	G 1/4" -19	9/16" -18 UNF	35	19	7.5	4.7	12
GE HRED 04 HJ 08	G 1/4" -19	3/4" -16 UNF	39	22	9.9	4.7	12
GE HRED 06 HJ 04	G 3/8" -19	7/16" -20 UNF	34.5	22	4.4	7.9	12
GE HRED 06 HJ 05	G 3/8" -19	1/2" -20 UNF	34.5	22	6	7.9	12
GE HRED 06 HJ	G 3/8" -19	9/16" -18 UNF	34.5	22	7.5	7.5	12
GE HRED 06 HJ 08	G 3/8" -19	3/4" -16 UNF	41	22	9.9	7.9	12
GE HRED 06 HJ 10	G 3/8" -19	7/8" -14 UNF	42.5	24	12.3	7.9	12
GE HRED 06 HJ 12	G 3/8" -19	1.1/16" -12 UN	44.5	27	15.5	7.9	12
GE HRED 08 HJ 04	G 1/2" -14	7/16" -20 UNF	37.5	27	4.4	11.1	14
GE HRED 08 HJ 06	G 1/2" -14	9/16" -18 UNF	40	27	7.5	11.1	14
GE HRED 08 HJ	G 1/2" -14	3/4" -16 UNF	40.5	27	9.9	9.9	14
GE HRED 08 HJ 10	G 1/2" -14	7/8" -14 UNF	43	27	11.1	11.1	14
GE HRED 08 HJ 12	G 1/2" -14	1.1/16" -12 UN	50	27	15.5	11.1	14
GE HRED 12 HJ 08	G 3/4" -14	3/4" -16 UNF	46	32	9.9	16.7	16
GE HRED 12 HJ 10	G 3/4" -14	7/8" -14 UNF	46	32	12.3	16.7	16
GE HRED 12 HJ	G 3/4" -14	1.1/16" -12 UN	51	32	15.5	15.5	16
GE HRED 12 HJ 16	G 3/4" -14	1.5/16" -12 UN	53	36	21.5	16.7	16
GE HRED 16 HJ 12	G 1" -11	1.1/16" -12 UN	53	41	15.5	22.2	18
GE HRED 16 HJ	G 1" -11	1.5/16" -12 UN	53.5	41	21.5	21.5	18
GE HRED 16 HJ 20	G 1" -11	1.5/8" -12 UN	55	46	27.5	22.2	18
GE HRED 16 HJ 24	G 1" -11	1.7/8" -12 UN	60	50	33.5	22.2	18
GE HRED 20 HJ 16	G 1.1/4" -11	1.5/16" -12 UN	57.5	50	21.5	28.6	20
GE HRED 20 HJ	G 1.1/4" -11	1.5/8" -12 UN	59	50	27.5	27.5	20
GE HRED 20 HJ 24	G 1.1/4" -11	1.7/8" -12 UN	62	50	33.5	28.6	20
GE HRED 24 HJ 20	G 1.1/2" -11	1.5/8" -12 UN	61	55	27.5	33.3	22
GE HRED 24 HJ	G 1.1/2" -11	1.7/8" -12 UN	64	55	33.3	33.3	22

SW = Anahtar genişliği

Yedek parçalar

WD	Yumuşak Conta
----	---------------

Diğer modeller

GE HRED HJ VA	Blok Adaptör
---------------	--------------