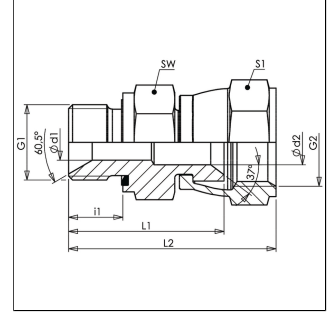


Özellikler

Customs tariff number	73079910
Bağlantı 2	UN/UNF Somunlu
Bağlantı 1	BSP dış dış silindirik
Malzeme	Çelik
Dizayn	düz
Sızdırmazlık şekli 1	Form E
Standart	ISO 8434-2
Model	Blok Adaptör
Yüzey koruması	galvaniz kaplı
Sızdırmazlık şekli 2	74° içe havşalı



Uyarı

Information about fitting, installation, pressure loads and permissible operating temperatures can be found in the technical information for adapters.

Ürün

Adı	G1	G2	L1 (mm)	SW (mm)	Ø d2 (mm)	Ø d1 (mm)	L2 (mm)	i1 (mm)	S1 (mm)
GE HRED 02 AJ 04	G 1/8" -28	7/16" -20 UNF	22.5	14	3.5	3.5	32	8	14
GE HRED 02 AJ 05	G 1/8" -28	1/2" -20 UNF	23.7	14	3.5	3.5	33.2	8	17
GE HRED 04 AJ 05	G 1/4" -19	1/2" -20 UNF	31.7	19	4.4	4.4	41.2	12	17
GE HRED 04 AJ 06	G 1/4" -19	9/16" -18 UNF	31.8	19	4.7	4.7	41.8	12	19
GE HRED 04 AJ 08	G 1/4" -19	3/4" -16 UNF	33.4	19	9.9	4.7	44.9	12	24
GE HRED 06 AJ	G 3/8" -19	9/16" -18 UNF	32.8	22	6	7.9	42.8	12	19
GE HRED 06 AJ 08	G 3/8" -19	3/4" -16 UNF	34.4	22	9.9	7.9	45.9	12	24
GE HRED 06 AJ 10	G 3/8" -19	7/8" -14 UNF	35.6	22	12.3	7.9	49.3	12	27
GE HR ED 08 AJ	G 1/2" -14	3/4" -16 UNF	37.4	27	9.9	9.9	48.9	14	24
GE HRED 08 AJ 10	G 1/2" -14	7/8" -14 UNF	38.6	27	11.1	11.1	52.3	14	27
GE HRED 08 AJ 12	G 1/2" -14	1.1/16" -12 UN	39.1	27	15.5	11.1	54	14	32
GE HRED 12 AJ	G 3/4" -14	1.1/16" -12 UN	41.6	32	15.5	15.5	56.5	16	32
GE HRED 12 AJ 16	G 3/4" -14	1.5/16" -12 UN	42.6	32	21.5	16.7	59.4	16	41
GE HRED 16 AJ	G 1" -11	1.5/16" -12 UN	47.6	41	21.5	21.5	64.4	18	41
GE HRED 16 AJ 20	G 1" -11	1.5/8" -12 UN	49.5	41	27.5	22.2	65.8	18	50
GE HRED 20 AJ	G 1.1/4" -11	1.5/8" -12 UN	51.5	50	27.5	27.5	67.8	20	50
GE HRED 20 AJ 24	G 1.1/4" -11	1.7/8" -12 UN	53.3	50	33.5	28.6	72.7	20	60
GE HRED 24 AJ	G 1.1/2" -11	1.7/8" -12 UN	55.3	55	33.3	33.3	74.7	22	60

SW, S1, S2, S3 = Anahtar genişliği

Yedek parçalar

WD	Yumuşak Conta
----	---------------

Diğer modeller

GE HRED AJ VA	Blok Adaptör
---------------	--------------